

Cirrus 40/2



VDE 4000131
UL E216910
CSA 215825



Product Description

The Cirrus 40/2 range of fan heaters uses PTC ceramic heating technology to provide the user with a product ideally suited to climate control. The heater can be controlled independently to the fan, allowing a "fan-only" mode for air circulation.

There are seventeen variants, giving different power and supply voltage capability. The product has been designed, and approved, for build-in applications.

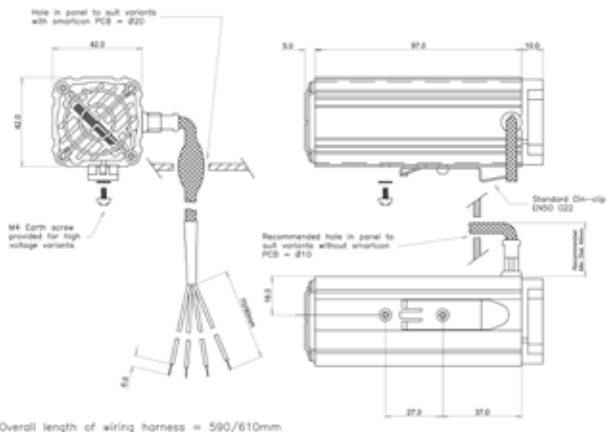
It has a robust construction utilising two anodised aluminium extrusions, coupled to a 40mm fan. The heating element is a DBK PTC heater. For ease of installation the product can be supplied with a factory fitted 35mm DIN-rail mounting clip, and electrical connection is via colour coded stripped end wires. To enable the use of different supply voltages to the fan nominal, Smartcon® is employed within the harness on certain units.

Variants

DBK Part No	Power Output (@ 10°C)	Heater Voltage	Fan Voltage
FGC 1500.2R	125W	115/230V AC	12V DC
FGC 1501.2R	150W	115/230V AC	12V DC
FGC 1502.2R	200W	115/230V AC	12V DC
FGC 1503.2R	230W	115/230V AC	12V DC
FGC 1507.2R	230W	115/230V AC	24V DC
FGC 1508.2R	125W	115/230V AC	12V AC*
FGC 1509.2R	150W	115/230V AC	12V AC*
FGC 1510.2R	200W	115/230V AC	12V AC*
FGC 1511.2R	230W	115/230V AC	12V AC*
FGC 1512.2R	125W	115/230V AC	24V AC/DC*
FGC 1513.2R	150W	115/230V AC	24V AC/DC*
FGC 1514.2R	200W	115/230V AC	24V AC/DC*
FGC 1515.2R	230W	115/230V AC	24V AC/DC*
FGC 1580.2R	275W	115/230V AC	12V DC
FGC 1581.2R	275W	115/230V AC	12V AC*
FGC 1582.2R	275W	115/230V AC	24V DC
FGC 1583.2R	275W	115/230V AC	24V AC/DC*

* Use Smartcon ®

Electrical Connections



Technical Data - Key Characteristics

Nominal Power @ 10° C	125W	150W	200W	230W	275W (CE Marked only)
Typical max in-rush current (A) RMS @ 230V AC	10	10	9	9	11
Fan volumetric flow (m³/hr)	12.4	12.4	12.4	17	17
Fan life time - L10 @ 40°C(Hrs)	120,000	120,000	120,000	50,000	50,000
Fan Operating temperature range (°C)	-10 to +70	-10 to +70	-10 to +70	-20 to +60	-20 to +60
Nominal input voltage (Fan)	12DC, 12AC or 24AC/DC	12DC, 12AC or 24AC/DC	12DC, 12AC or 24AC/DC	12DC, 12AC or 24AC/DC	12DC, 12AC or 24AC/DC
Nominal input voltage (Heater)	115/230	115/230	115/230	115/230	115/230
Dimensions (mm) - cross section	42x42	42x42	42x42	42x42	42x42
Length (mm)	112	112	112	122	122
Weight (g)	260	260	260	275	275
Finger guards at outlet	Yes	Yes	Yes	Yes	Yes

Options

DBK Part No	Description	Comments
FGF 01	40mm wire finger guard	Factory fitted at outlet only. Optional at inlet.
FGB 01	35mm DIN clip	Factory fitted
FGF 08	Plastic 40mm finger guard	Optional
FGF 05	Plastic 40mm finger guard and filter assembly	Optional

A fan heater ideally suited to climate control